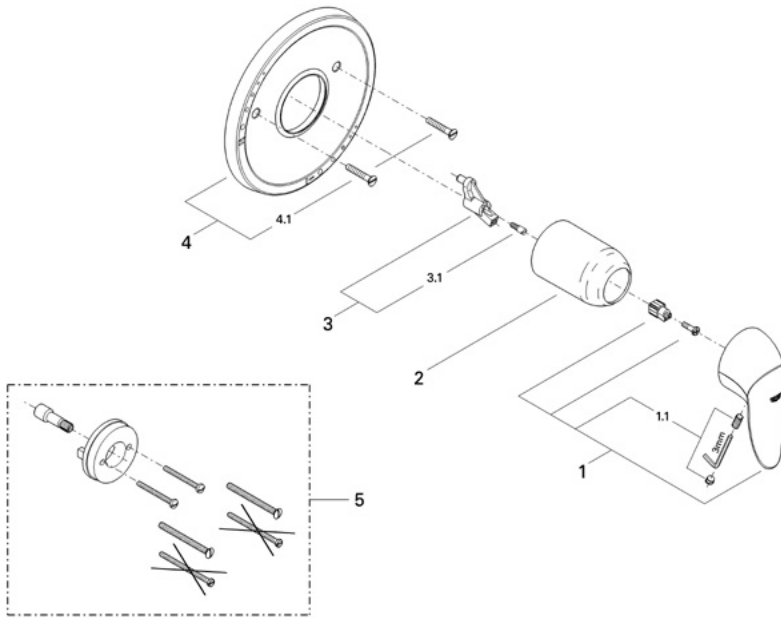


## 19 068 Pressure Balance Valve trim

### Exploded View



### Parts Breakdown

Pos. No.	Spare part Description	Product No.	Pcs.
	<b>19068</b>		
1	Lever set	46247	1
1.1	Handle connection set	46448	1
2	Cap	46264	1
3	Lever adapter	46266	1
3.1	Screw	02653	1
4	Escutcheon	46271	1
4.1	Screw	46272	2
	<b>Special accessories</b>		
	1" Extension	47344	1