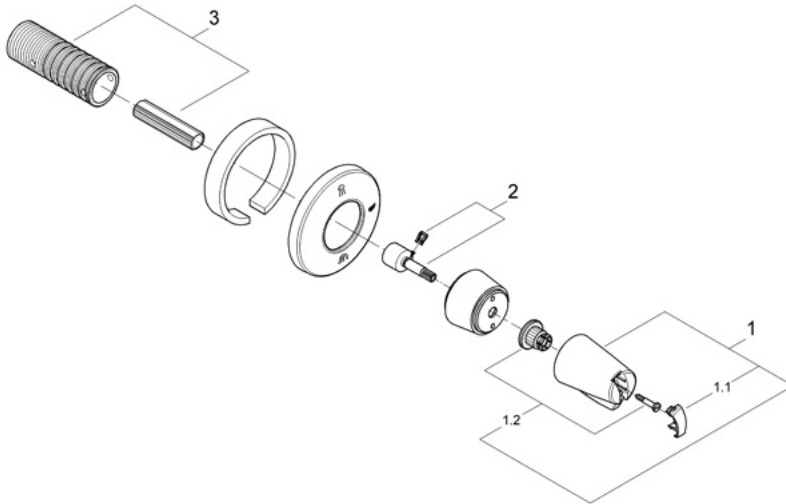


## 19 906 3-port Diverter Trim

### Exploded View



### Parts Breakdown

Pos No.	Spare Part Description	Product No.	Pcs.
	<b>19 906</b>		
1	Handle	45 954	1
1.1	Handle cover cap	11 366	1
1.2	Handle connection set	45 186	1
2	Inner spindle	45 611	1
3	Primary spindle	45 439	1