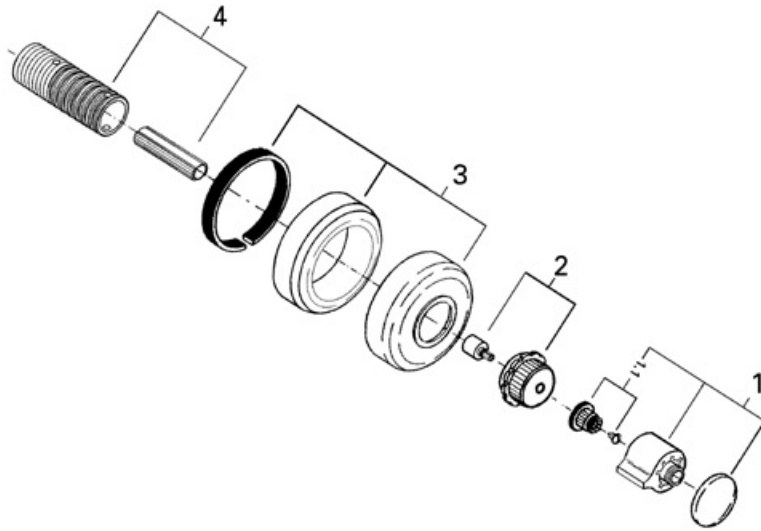


19 903 Trim, Diverter/Transfer Valve

Exploded View



Parts Breakdown

| Pos No. | Spare Part Description | Product No. | Pcs. |
|---------|----------------------------|-------------|------|
| | 19 903 | | |
| 1 | Handle | 45 649 | 1 |
| 1.1 | Handle connection set | 45 186 | 1 |
| 2 | Secondary spindle | 45 438 | 1 |
| 3 | Diverter escutcheon 19 903 | 45 433 | 1 |
| 3 | Diverter escutcheon 19 905 | 45 435 | 1 |
| 4 | Extension for 19 903 | 45 439 | 1 |