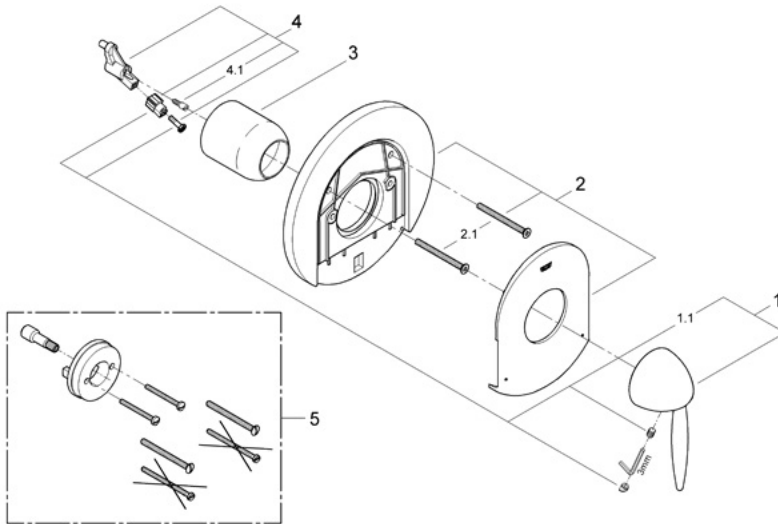


19 200 Pressure Balance Valve trim

Exploded View



Parts Breakdown

Pos No.	Spare Part Description	Product No.	Pcs.
	19 200		
1	Lever	46 550	1
1.1	Lever connection set	46 546	1
2	Escutcheon	46 551	1
2.1	Escutcheon Screws	09 905	1
3	Pbv sleeve euoplus ii	46 117	1
4	Lever adapter/19/04,5/6	46 265	1
4.1	46265 screw	02 653	1
	Special Accessories		
5	Grohsafe extension	47 344	1