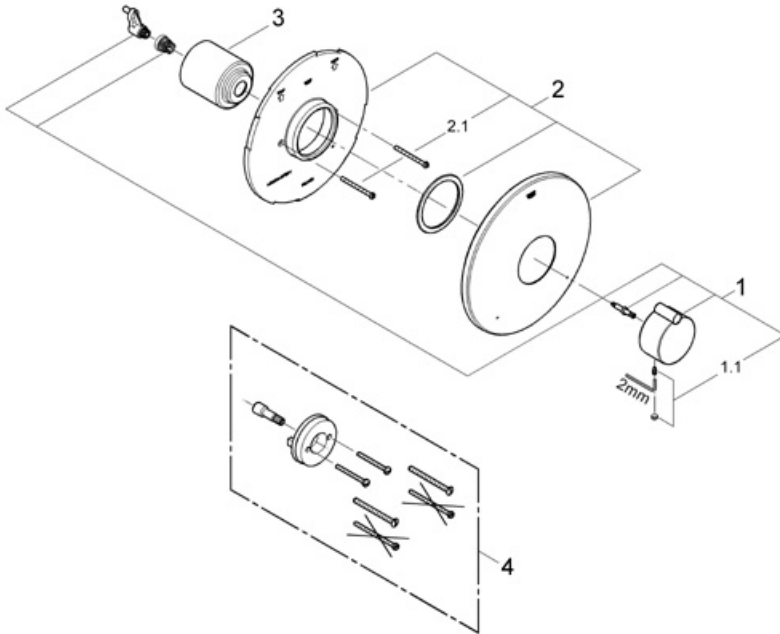


19 150 Pressure Balance Valve trim

Exploded View



Parts Breakdown

Pos. No.	Spare part Description	Product No.	Pcs.
	19150		
1	Handle	47686	1
1.1	Handle set screw	11232	1
2	Escutcheon	47684	1
2.1	Escutcheon screws	00329	1
3	Body sleeve	11291	1
	Special accessories		
4	Extension kit	47344	1