

34 142 Thermostatic Roman Tub Filler Trim

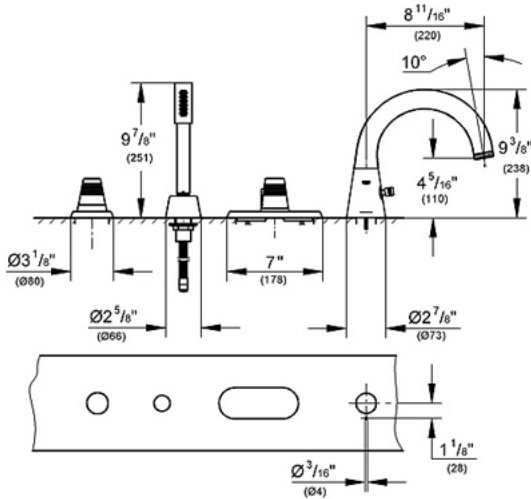


Description

-LIMITED AVAILABILITY-

Deck Mount, 4-hole installation
 Design by F.A. Porsche
 Unique ALU-XT aluminum-colored satin finish
 F1 Cone Handles
 8 3/4" diverter spout
 Sena hand shower (28 341)

Note:
 Trim only. For use with rough-in valve 34 132.



Flow Rate

NA

Code Compliance

ASME/ANSI A112.18.1M

Finish Options

34 142 BKO ALU-XT