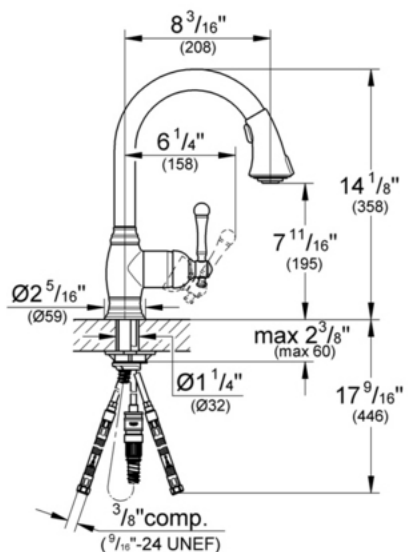


## 33 870 Dual Spray Pull Down



### Description

GROHE SilkMove® Ceramic cartridge  
 SpeedClean® anti-lime system  
 Convenient Dual Spray Trigger - hold and release on/off spray control  
 regular flow to spray  
 Quick installation system  
 Single lever handle  
 Variable handle positioning  
 Stainless steel braided flexible supplies  
 56" extractable hose  
 8 3/16-Inch spout reach  
 360° swivel spout

### Flow Rate

2.2 gpm at 45 psi, 2.5 gpm at 80 psi  
 (9.5 lpm)

### Code Compliance

ASME/ANSI A112.18.1M

### Finish Options

33 870 OOO Starlight® Chrome  
 33 870 ENO Infinity Brushed Nickel  
 33 870 ZBO Oil Rubbed Bronze