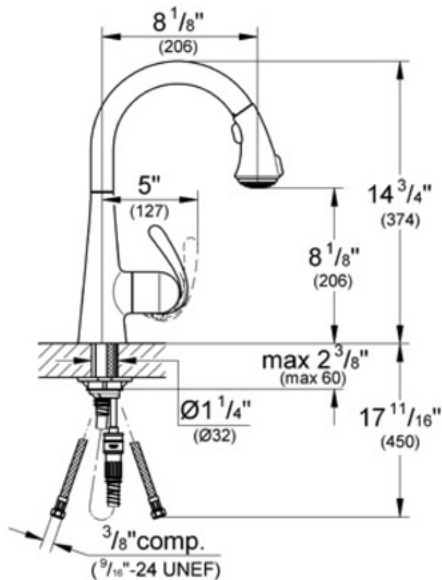


32 298 Main Sink Dual Spray Pull-Down



Description

Grohe RealSteel® Stainless Steel Construction- produced from solid, Grade 304 stainless steel (SD0, KDO only)
000, DCO=Solid Brass Body
GROHE SilkMove® Ceramic Cartridge
SpeedClean® Anti-Lime System
Convenient Dual Spray Trigger-- hold and release on/off spray control
Stainless Steel Braided Flexible Supplies
Quick Installation System
Single Lever Handle
Forward Rotation Lever, does not hit backsplash
8 1/8" Spout Reach



Flow Rate

2.2 gpm at 45 psi, 2.5 gpm at 80 psi
(9.5 lpm)

Code Compliance

ASME/ANSI A112.18.1M
ANSI/NSF Standard 61
ADA Compliant

Finish Options

32 298 OOO Starlight® Chrome
32 298 SDO Stainless Steel
32 298 KDO Stainless Steel/Black
32 298 DCO SuperSteel