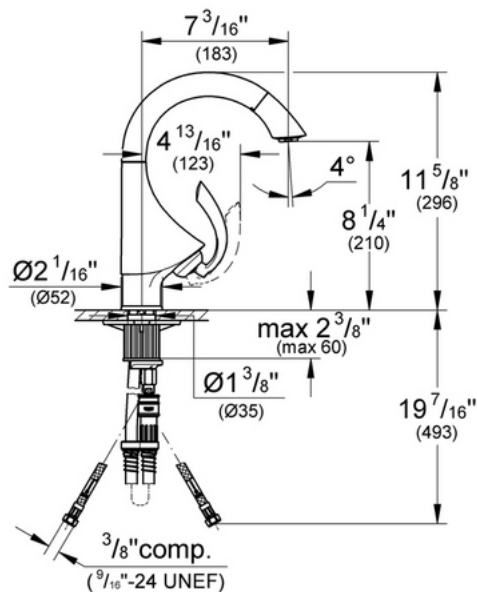


32 074 Prep Sink Single Spray Pull-Out



Description

****LIMITED AVAILABILITY****

GROHE RealSteel® Stainless Steel Construction (SD0 and KD0 versions)
 Solid brass body (000 version)
 Ceramic cartridge
 Single lever handle
 Variable handle positioning (left, right, or center and all points in between)
 7 3/16" spout reach

Flow Rate

2.2 gpm at 60 psi, 2.5 gpm at 80 psi
 (9.5 lpm)

Code Compliance

ASME/ANSI A112.18.1M
 ANSI/NSF Standard 61
 ADA Compliant

Finish Options

32 074 OOO Starlight® Chrome
 32 074 SDO Stainless Steel
 32 074 KDO Stainless Steel/Black