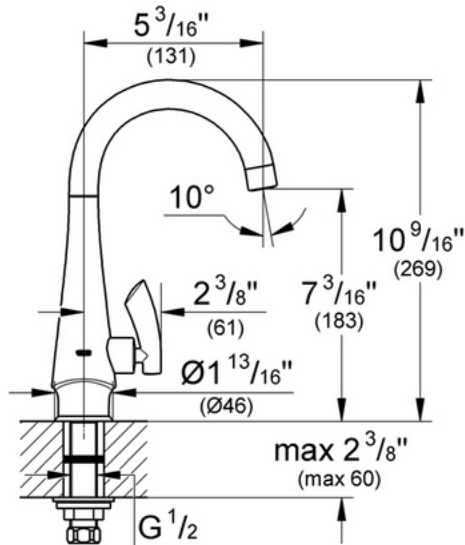


30 004 High Profile Basin/Pillar Tap



Description

GROHE RealSteel® Stainless Steel Construction (SD0 and KD0 versions)
 Solid brass body (000 version)
 Ceramic cartridge
 Single Inlet - Cold Water
 Single lever handle
 5 3/16" swivel spout
 Cold water only

Flow Rate

2.2 gpm at 60 psi, 2.5 gpm at 80 psi
 (9.5 lpm)

Code Compliance

ASME/ANSI A112.18.1M
 ANSI/NSF Standard 61
 ADA Compliant

Finish Options

30 004 OOO Starlight® Chrome
 30 004 SDO Stainless Steel
 30 004 KDO Stainless Steel/Black