

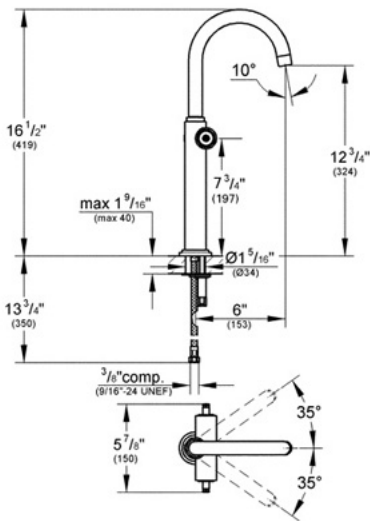
## 21 046 Deck-mount vessel faucet



### Description

16 1/2" tall  
 6" swivel spout  
 Two handles  
 Solid brass body  
 Stainless steel braided supply hoses  
 Single hole installation  
 GROHE SilkMove® ceramic cartridges

Sold less handles. Shown with both Trio spoke handles (18 026) and lever handles (18 027).



### Flow Rate

2.2 gpm at 60 psi,  
 2.5 gpm at 80 psi

### Code Compliance

ASME/ANSI A112.18.1M  
 ANSI/NSF Standard 61

### Finish Options

21 046 000 Starlight® Chrome  
 21 046 AVO Infinity Satin Nickel  
 21 046 BEO Sterling Infinity Finish  
 21 046 ENO Infinity Brushed Nickel