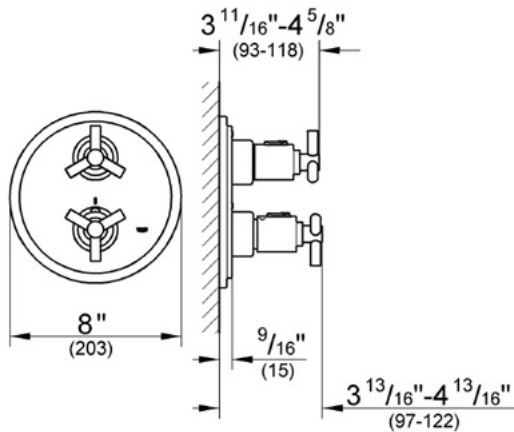


19 167 Integrated thermostat trim



Description

Integrated volume and temperature control
 Trio spoke handle volume control
 Trio spoke handle temperature control

For use with Grohtherm 34 909 or 34 126
 Integrated thermostatic rough-in valves

Note: Recommended for shower installations

Flow Rate

NA

Code Compliance

ASME/ANSI A112.18.1M

Finish Options

- 19 167 OOO Starlight® Chrome
- 19 167 AVO Infinity Satin Nickel
- 19 167 BEO Sterling Infinity Finish
- 19 167 ENO Infinity Brushed Nickel